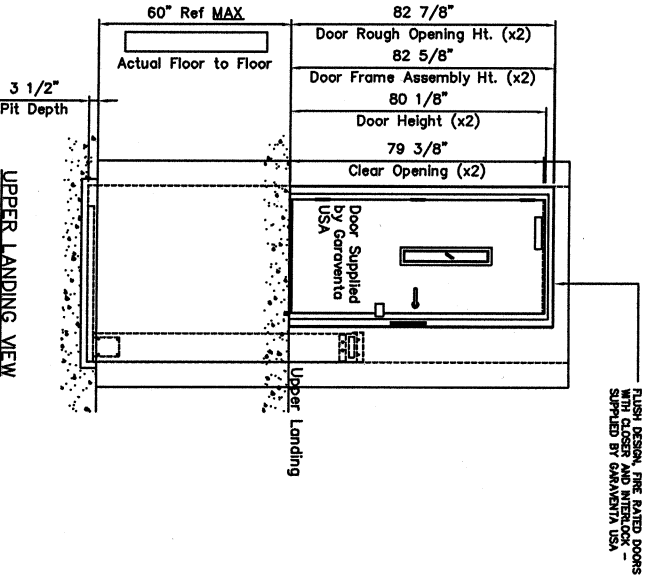
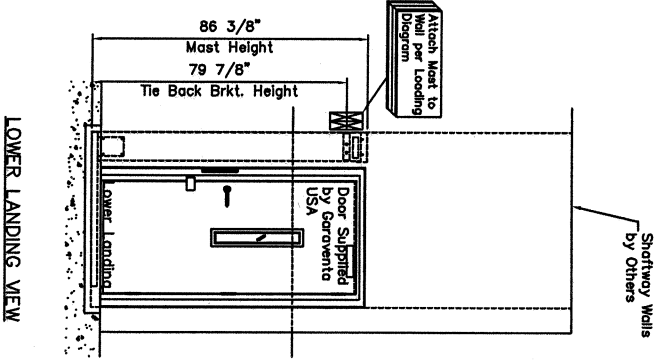


CONCEPTUAL DRAWING ONLY
NOT FOR CONSTRUCTION

Enclosed Fire Rated Hallways require ventilation to outside air.

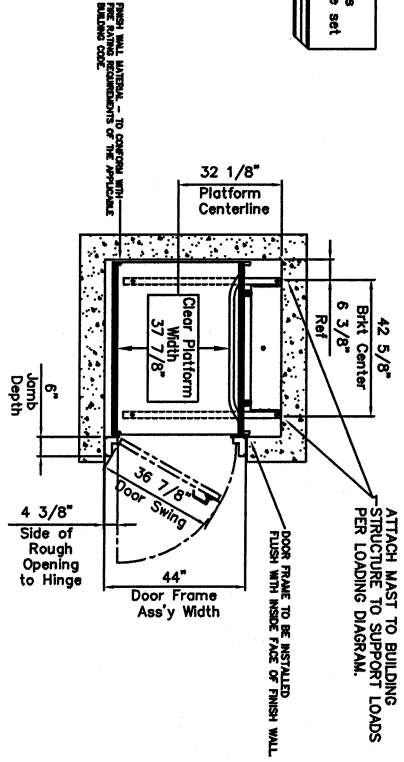
Shaftway/landing lighting circuit by others. Independent of lift electric with a minimum short and on platform of each landing.



FLUSH DESIGN, FIRE RATED DOORS WITH CLOSER AND INTERLOCK - SUPPLIED BY GARAVENTA USA

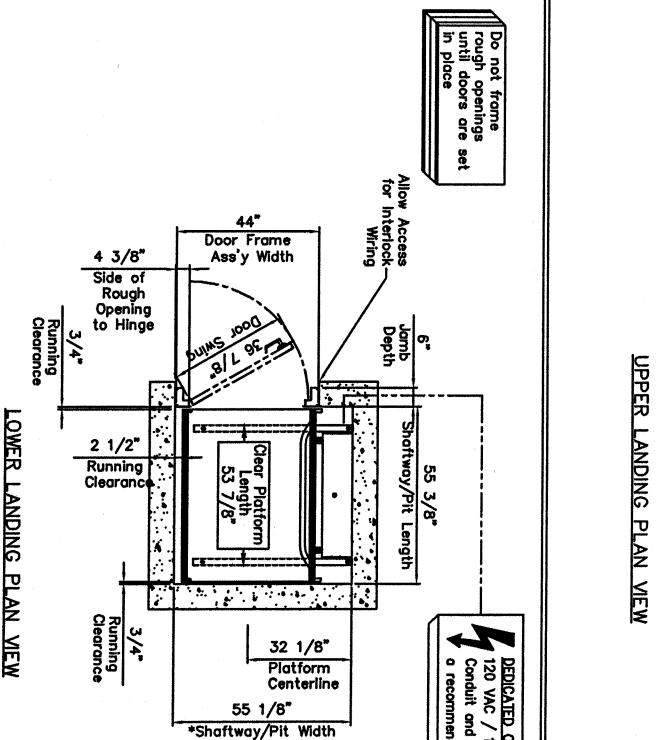
Do not frame rough openings until doors are set in place

Do not frame rough openings until doors are set in place



ATTACH MAST TO BUILDING STRUCTURE TO SUPPORT LOADS PER LOADING DIAGRAM.

DOOR FRAME TO BE INSTALLED FLUSH WITH INSIDE FACE OF FINISH WALL



DEDICATED CIRCUIT SUPPLIED BY OTHERS. 120 VAC / 1 PHASE - 60 Hz. Conduit and devices to suit local codes and a recommended 20 amp, dedicated circuit.

A	GENESIS VERTICAL LIFT - SHAFTWAY - ENTER/EXIT OPPOSITE SIDES	UNITS: INCHES	7/09	KM
REV.	SCALE: NTS	TOLERANCES: DIMENSIONAL	ANGULAR	PROJECTION:
			DATE	DRN.BY
			DATE	CHK.BY

GARAVENTA LIFT

999 CANDIA RD BLDG 2-1
MANCHESTER, NH 03109
PH: ++1 603-689-6553
FAX: ++1 603-669-0078
http://www.garaventausa.com

SAMPLE DRAWING ONLY
GENESIS SHAFTWAY MODEL
ENT/EXT OPPOSITE SIDES PAGE 1 OF 2
GARAVENTA-USA

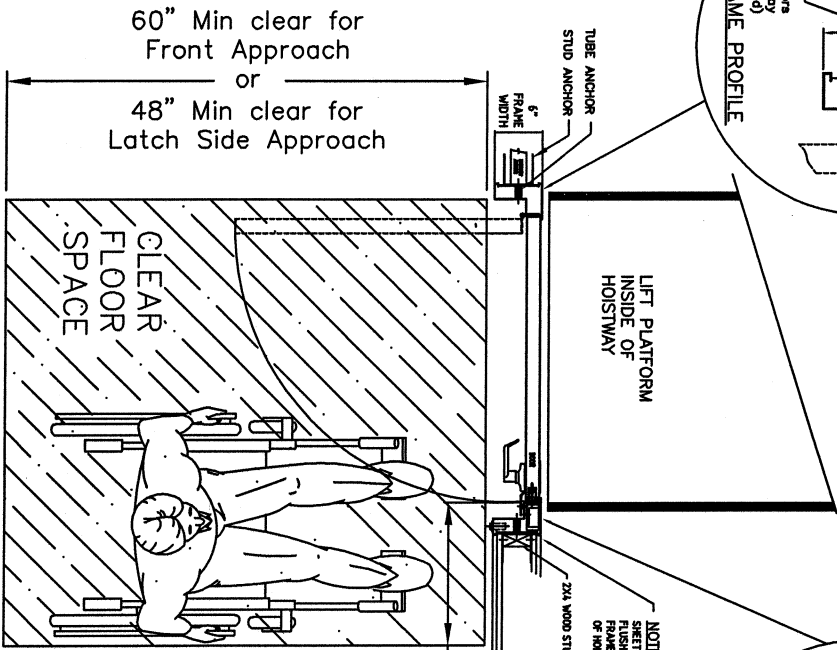
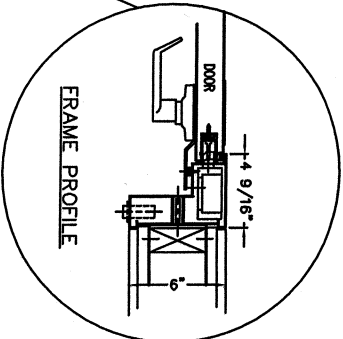
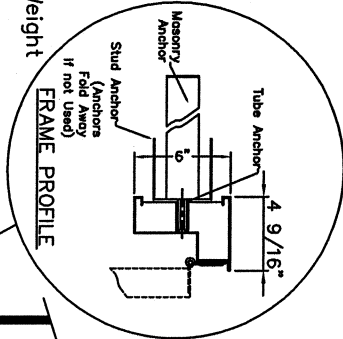
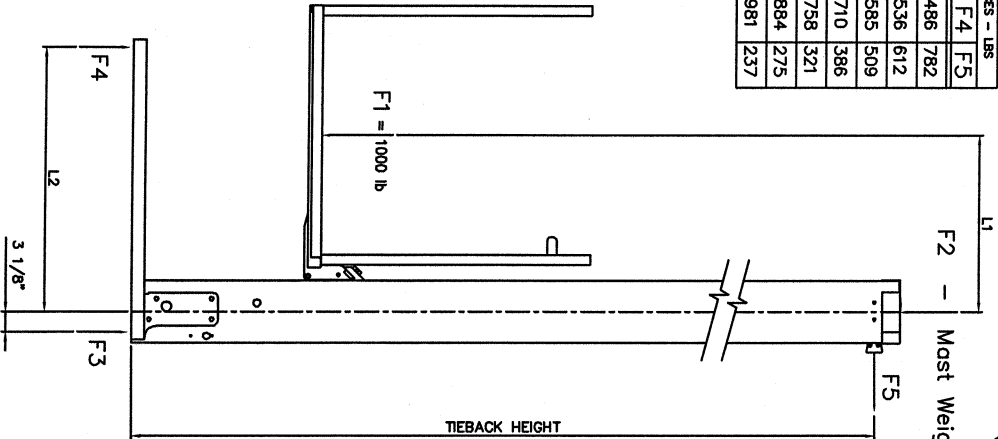
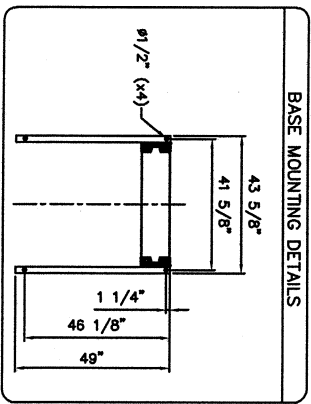
CVL-SW-THR

CONCEPTUAL DRAWING ONLY
NOT FOR CONSTRUCTION

MAST MODEL	MAST HEIGHT	TIE-BACK HEIGHT	REACTION FORCES - LBS				
			F2	F3	F4	F5	
42"	68 3/8"	61 7/8"	175	1251	486	782	
60"	86 3/8"	79 7/8"	215	1308	536	612	
72"	98 3/8"	91 7/8"	260	1370	585	509	
96"	122 3/8"	115 7/8"	375	1527	710	386	
120"	146 3/8"	139 7/8"	450	1627	758	321	
144"	170 3/8"	163 7/8"	525	1736	884	275	
168"	194 3/8"	187 7/8"	600	1846	981	237	

PLATFORM SIZE	L1	L2
COMPACT: 36" X 49 1/2"	26.9"	41.7"
STANDARD: 38" X 54"	26.9"	41.7"
MID SIZE: 38" X 60"	26.9"	41.7"
LARGE: 43" X 60"	29.9"	41.7"

SPECIAL NOTE:
These are reaction forces generated by the lift. Adhere to local building codes, regulations, and safety factors for supporting structures. Consult a structural engineer or architect in your jurisdiction.



POWER DOOR OPENERS ARE REQUIRED FOR SITUATIONS WHERE CLEAR / LEVEL FLOOR SPACE CANNOT BE ACHIEVED ON PULL SIDE OF MANUAL SWING DOORS. SEE ADA, OR AAB-521 CMR FOR DETAILS. CONSULT GARAVENTA USA FOR AVAILABILITY.

18" Latch side clear space for "Front" Approach. (24" Required for "Latch Side" Approach)

Do not frame rough openings until door & frame are in place

DETAIL 1 - SHAFTWAY MODEL LOADING DIAGRAM

REV.	SCALE:	NIS	TOLERANCES:	DIMENSIONAL	ANGULAR	UNITS:	INCHES	7/09	KM	DRN:BY	CHK:BY
A	GENESIS VERTICAL LIFT - SHAFTWAY - ENTER/EXIT OPPOSITE SIDES										



999 CANDIA RD BLDG 2-1
MANCHESTER, NH 03109
PH: ++1 603-669-6553
FAX: ++1 603-669-0078
http://www.GaraventaUSA.com

SAMPLE DRAWING ONLY
GENESIS SHAFTWAY MODEL
VERTICAL LIFT
ENT/EXT OPPOSITE SIDES