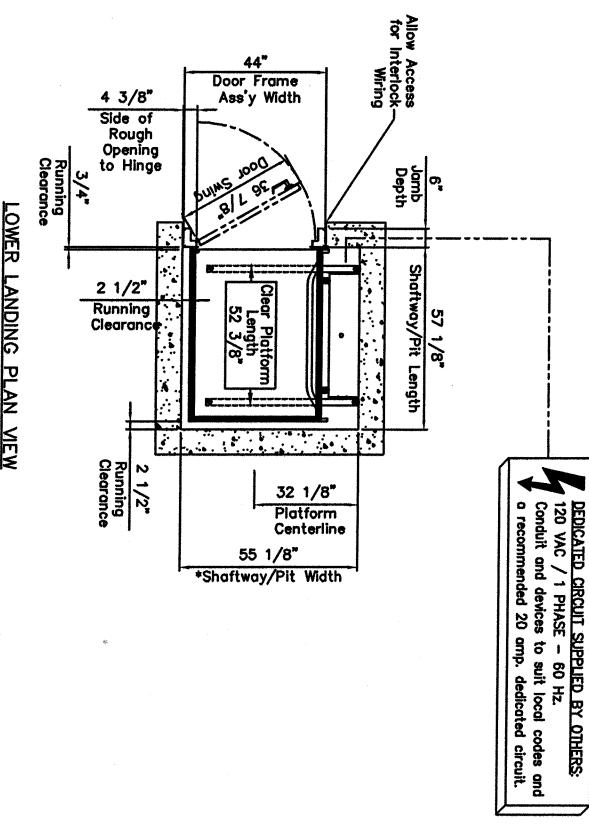
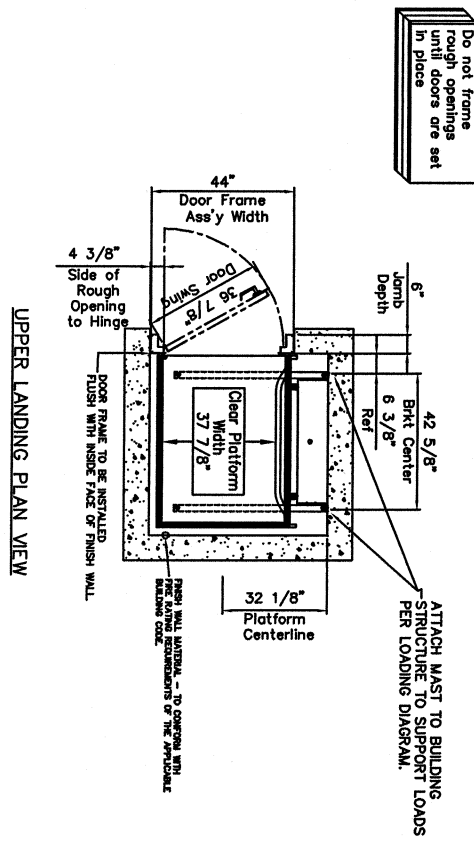
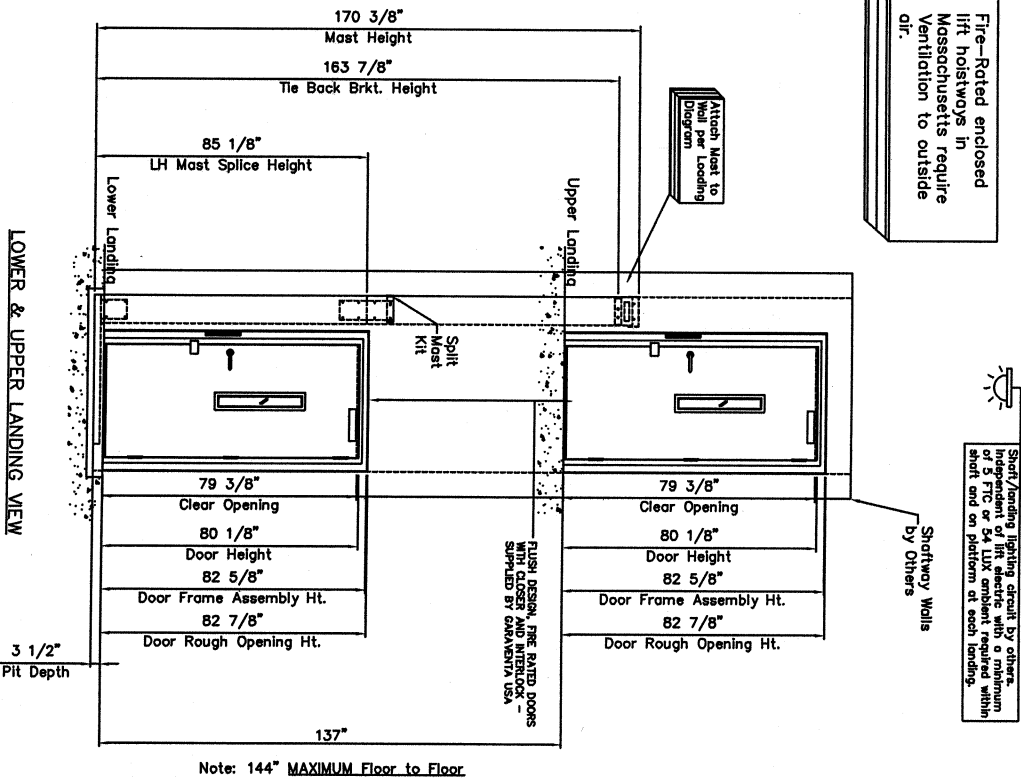


**CONCEPTUAL DRAWING ONLY
NOT FOR CONSTRUCTION**



| | | | | |
|----------------|---|--|---------|-------------|
| A | GENESIS VERTICAL LIFT - SHAFTWAY - ENTER/EXIT SAME SIDE | UNITS: INCHES | 7/09 | KM |
| REV. | SCALE: NTS | TOLERANCES: DIMENSIONAL | ANGULAR | PROJECTION: |
| GARAVENTA LIFT | | SAMPLE DRAWING ONLY GENESIS SHAFTWAY MODEL FRONT CAR | | |

999 CANDIA RD BLDG 2-1
MANCHESTER, NH 03109
PH: ++1 603-689-6553
FAX: ++1 603-689-0078
http://www.garaventausa.com

GARAVENTA-USA

GVL-SW-FR

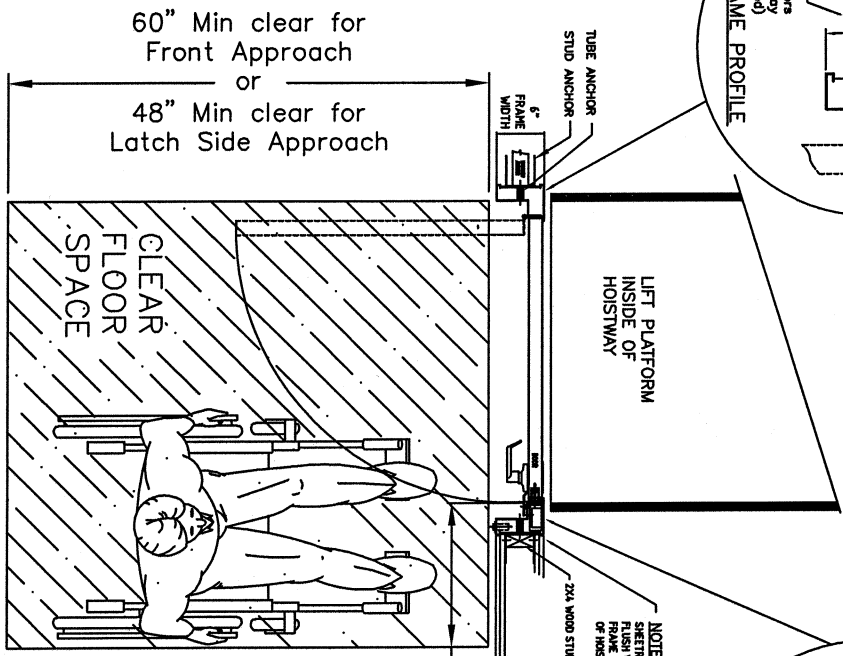
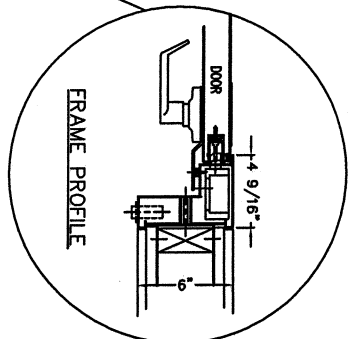
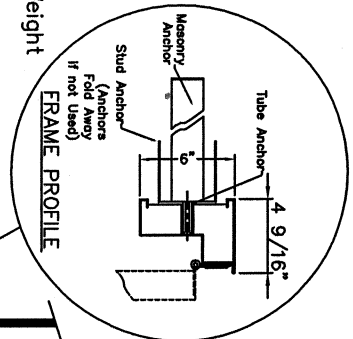
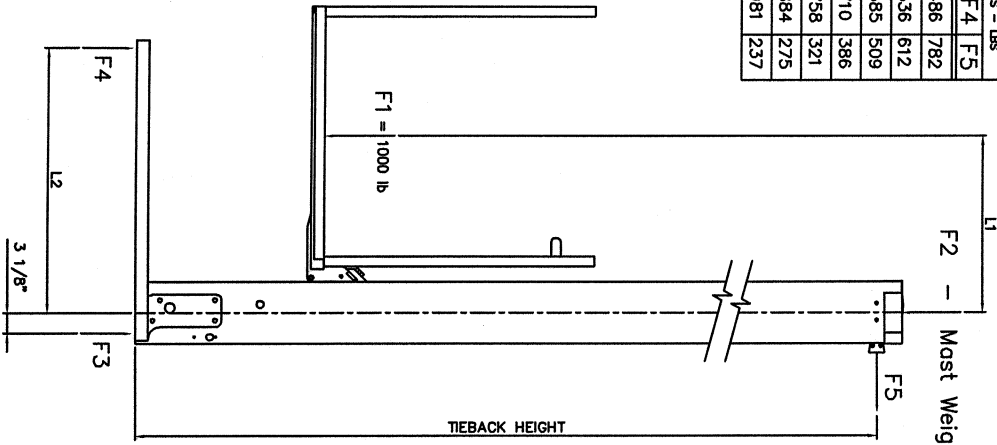
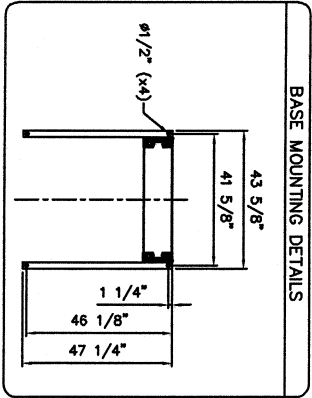
PAGE 1 OF 2

CONCEPTUAL DRAWING ONLY
NOT FOR CONSTRUCTION

| MAST MODEL | MAST HEIGHT | TIE-BACK HEIGHT | F2 | F3 | F4 | F5 |
|------------|-------------|-----------------|-----|------|-----|-----|
| 42" | 68 3/8" | 61 7/8" | 175 | 1251 | 486 | 782 |
| 60" | 86 3/8" | 79 7/8" | 215 | 1308 | 536 | 612 |
| 72" | 98 3/8" | 91 7/8" | 260 | 1370 | 585 | 509 |
| 96" | 122 3/8" | 115 7/8" | 375 | 1527 | 710 | 386 |
| 120" | 146 3/8" | 139 7/8" | 450 | 1627 | 758 | 321 |
| 144" | 170 3/8" | 163 7/8" | 525 | 1736 | 884 | 275 |
| 168" | 194 3/8" | 187 7/8" | 600 | 1846 | 981 | 237 |

| PLATFORM SIZE | L1 | L2 |
|------------------------|-------|-------|
| COMPACT: 36" x 49 1/2" | 26.9" | 41.7" |
| STANDARD: 38" x 54" | 26.9" | 41.7" |
| MID SIZE: 38" x 60" | 26.9" | 41.7" |
| LARGE: 43" x 60" | 29.9" | 41.7" |

SPECIAL NOTE:
These are reaction forces generated by the lift. Adhere to local building codes, regulations, and safety factors for supporting structures. Consult a structural engineer or architect in your jurisdiction.



POWER DOOR OPENERS ARE REQUIRED FOR SITUATIONS WHERE CLEAR / LEVEL FLOOR SPACE CANNOT BE ACHIEVED ON PULL SIDE OF MANUAL SWING DOORS. SEE ADA, OR AAB-521 CMR FOR DETAILS. CONSULT GARAVENTIA USA FOR AVAILABILITY.

18" Latch side clear space for "Front" Approach.
(24" Required for "Latch Side" Approach)

Do not frame rough openings until door & frame are in place

DETAIL 1 - SHAFTWAY MODEL LOADING DIAGRAM

| REV. | SCALE: | NTS | TOLERANCES: | DIMENSIONAL | ANGULAR | UNITS: | INCHES | DATE | 7/09 | BY | CHK |
|------|---|-----|-------------|-------------|---------|--------|--------|------|------|----|-----|
| A | GENESIS VERTICAL LIFT - SHAFTWAY - ENTER/EXIT SAME SIDE | | | | | | | | | | |

999 CANDIA RD BLDG 2-1
MANCHESTER, NH 03109
Ph: ++1 603-689-8533
FAX: ++1 603-669-0078
<http://www.GaraventiaUSA.com>

SAMPLE DRAWING ONLY
GENESIS SHAFTWAY MODEL
VERTICAL LIFT
FRONT CAR
GARAVENTIA-USA
PAGE 2 OF 2
GVL-SW-FR