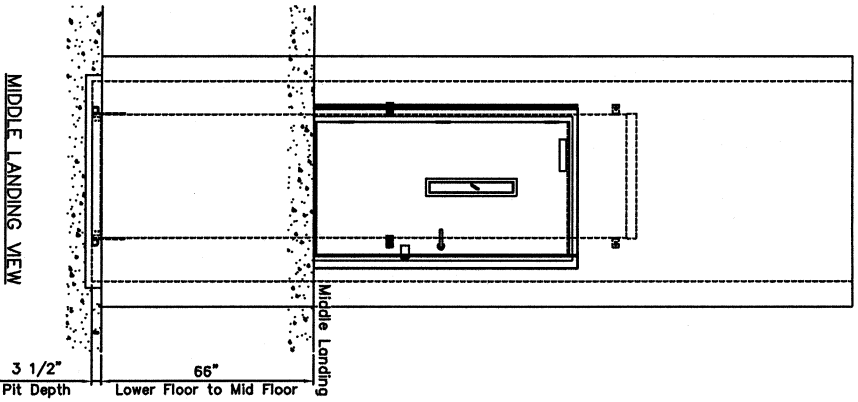
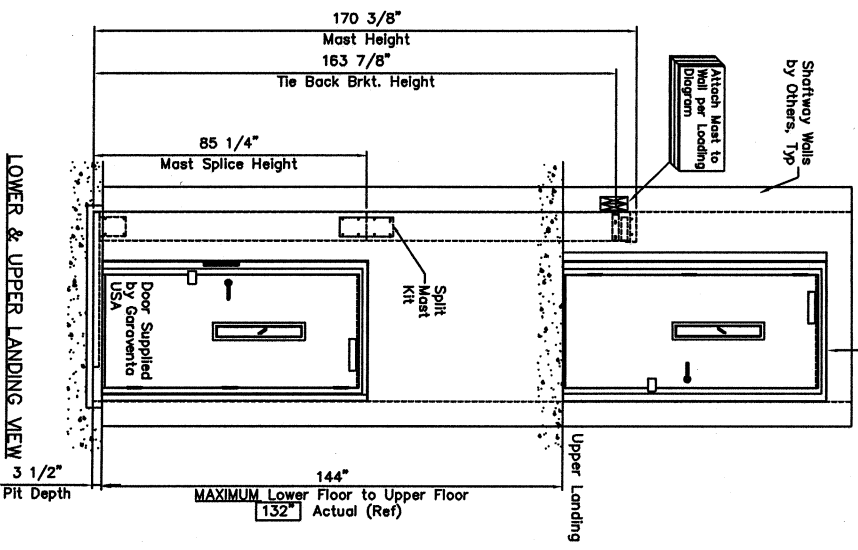


**CONCEPTUAL DRAWING ONLY  
NOT FOR CONSTRUCTION**



Shaft/Landing lighting circuit by others. Independent of lift electric with a minimum of 5 FFC or 54 LUX ambient required within shaft and on platform at each landing.

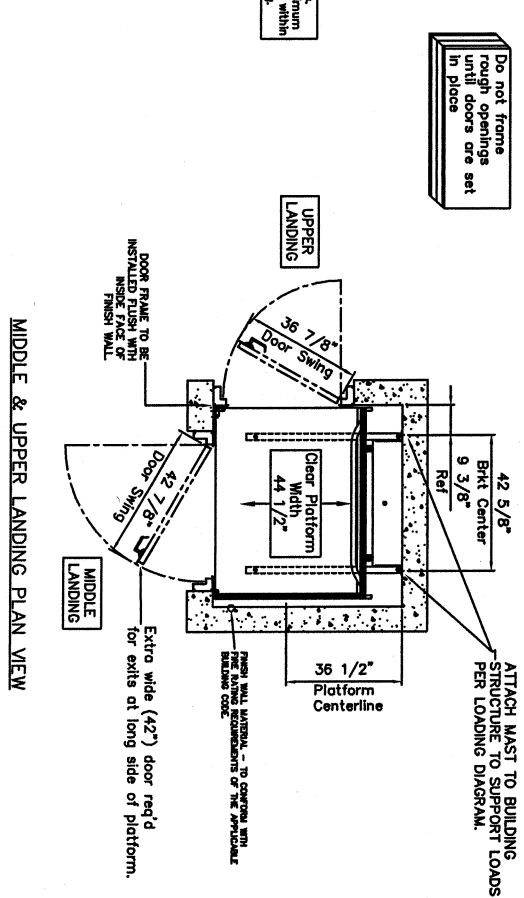
FLUSH DESIGN, FIRE RATED DOORS WITH CLOSER AND INTERLOCK - SUPPLIED BY GARAVENTIA USA

Enclosed, Fire-rated lift hoistways in Massachusetts require ventilation to outside air.

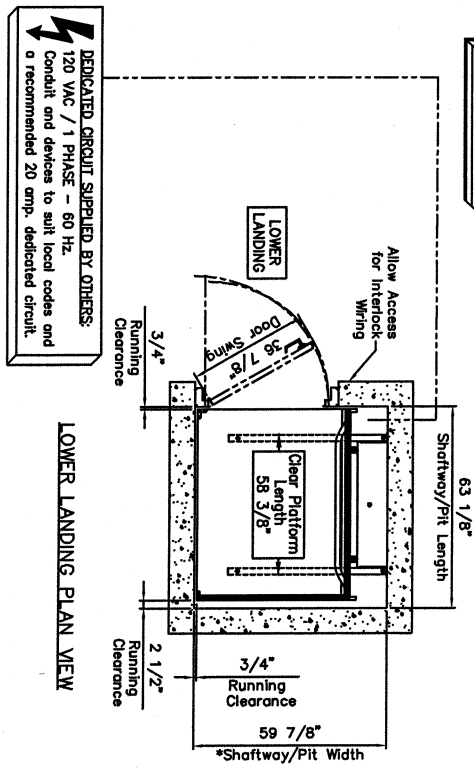
Shaft/Landing lighting circuit by others. Independent of lift electric with a minimum of 5 FFC or 54 LUX ambient required within shaft and on platform at each landing.

Do not frame rough openings until doors are set in place

Do not frame rough openings until doors are set in place



ATTACH MAST TO BUILDING STRUCTURE TO SUPPORT LOADS PER LOADING DIAGRAM.



DEDICATED CIRCUIT SUPPLIED BY OTHERS: 120 VAC / 1 PHASE - 60 HZ. Conduit and devices to suit local codes and a recommended 20 amp, dedicated circuit.

A	GENESIS VERTICAL LIFT - SHAFTWAY - SIDE EXIT	UNITS: INCHES	7/09	KM	CHK BY
REV.	SCALE: NTS	TOLERANCES: DIMENSIONAL	ANGULAR	PROJECTION:	DATE
					DRN BY

**GARAVENTIA LIFT**

999 CANADA RD BLDG 2--1  
MANCHESTER, NH 03109  
PH: ++1 603-669-6553  
FAX: ++1 603-669-0078  
<http://www.garaventiausa.com>

SAMPLE DRAWING ONLY  
GENESIS SHAFTWAY MODEL  
VERTICAL LIFT  
SIDE EXIT

GARAVENTIA-USA

PAGE 1 OF 2

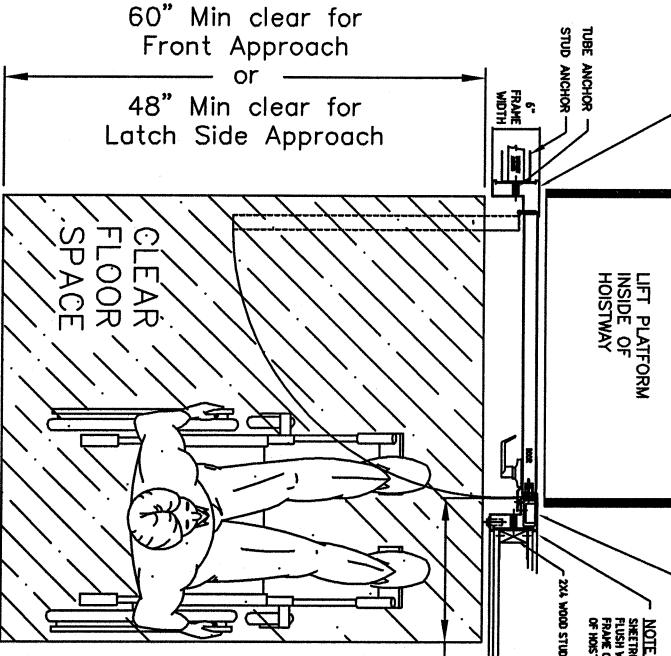
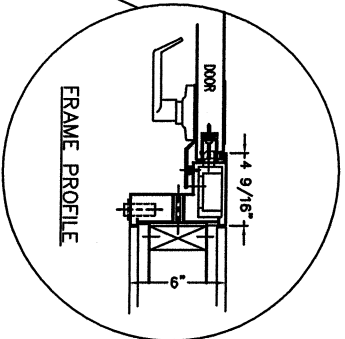
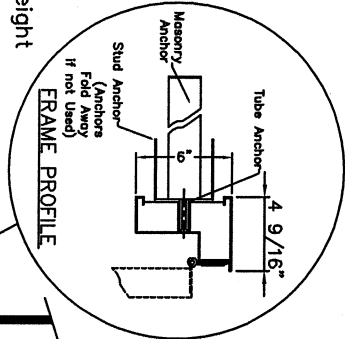
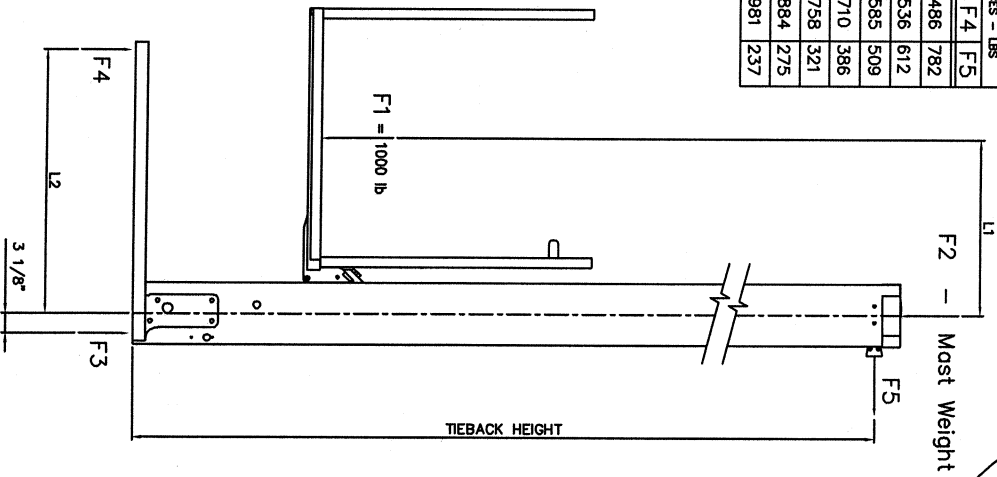
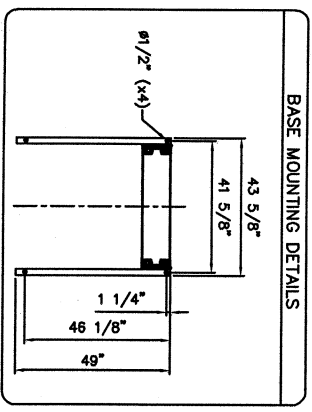
CVT-SW-S

CONCEPTUAL DRAWING ONLY  
NOT FOR CONSTRUCTION

MAST MODEL	MAST HEIGHT	REACTION FORCES - LBS				
		TIE-BACK HEIGHT	F2	F3	F4	F5
42"	68 3/8"	61 7/8"	175	1251	486	782
60"	86 3/8"	79 7/8"	215	1308	536	612
72"	98 3/8"	91 7/8"	260	1370	585	509
96"	122 3/8"	115 7/8"	375	1527	710	386
120"	146 3/8"	139 7/8"	450	1627	758	321
144"	170 3/8"	163 7/8"	525	1736	884	275
168"	194 3/8"	187 7/8"	600	1846	981	237

PLATFORM SIZE	L1	L2
COMPACT: 36" X 49 1/2"	26.9"	41.7"
STANDARD: 36" X 54"	26.9"	41.7"
MID SIZE: 38" X 60"	26.9"	41.7"
LARGE: 43" X 60"	29.9"	41.7"

**SPECIAL NOTE:**  
These are reaction forces generated by the lift. Adhere to local building codes, regulations, and safety factors for supporting structures. Consult a structural engineer or architect in your jurisdiction.



Do not frame rough openings until door & frame are in place

POWER DOOR OPENERS ARE REQUIRED FOR SITUATIONS WHERE CLEAR / LEVEL FLOOR SPACE CANNOT BE ACHIEVED ON PULL SIDE OF MANUAL SWING DOORS. SEE ADA, OR AAB-521 CMR FOR DETAILS. CONSULT GARAVENTA USA FOR AVAILABILITY.

DETAIL 1 - SHAFTWAY MODEL LOADING DIAGRAM

REV. SCALE: NTS	A	GENESIS VERTICAL LIFT - SHAFTWAY - SIDE EXIT	UNITS: INCHES	7/09	KM
	TOLERANCES: DIMENSIONAL	ANGULAR	PROJECTION:	DATE	DRN BY:
			999 CANDIA RD BLDG 2-1 MANCHESTER, NH 03109 PH: ++1 603-689-6553 FAX: ++1 603-689-0078 http://www.GaraventaUSA.com		
SAMPLE DRAWING ONLY GENESIS SHAFTWAY MODEL SIDE EXIT			GARAVENTA-USA		
GARAVENTA-USA			PAGE 2 OF 2		