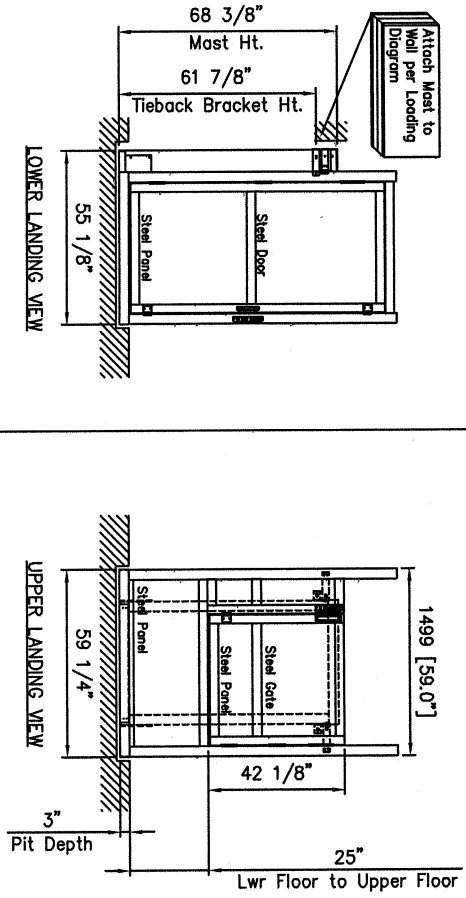
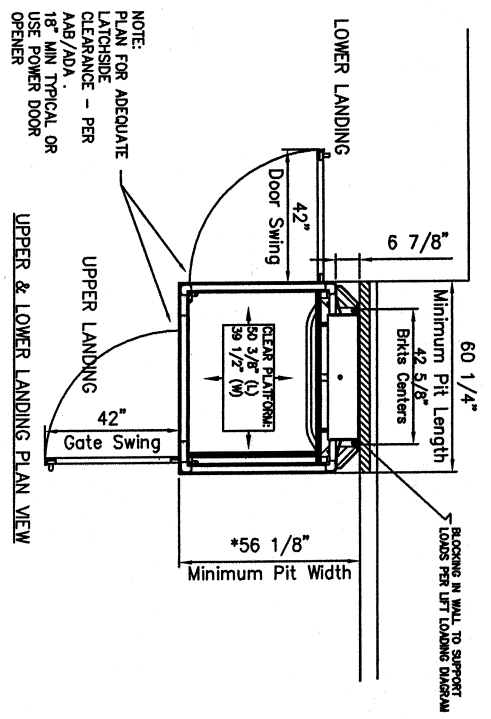


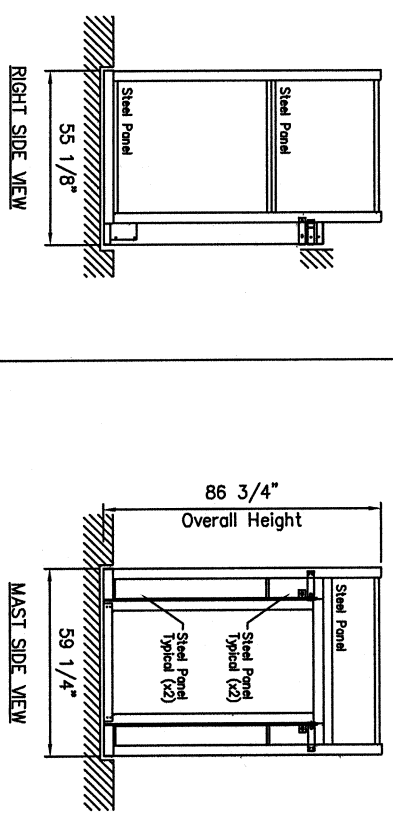
CONCEPTUAL DRAWING ONLY
NOT FOR CONSTRUCTION



Start/Landing lighting draft by others. Independent of lift electric with a minimum of 5 FLC or 54 Lux ambient required within shaft and on platform of each landing.



NOTE:
PLAN FOR ADEQUATE LATCHSIDE CLEARANCE - PER AAB/ADA. 18" MIN TYPICAL OR USE POWER DOOR OPENER

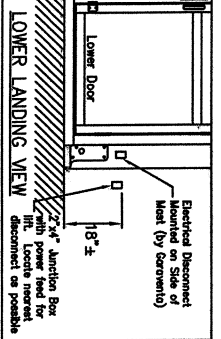


ELECTRICAL SPECIFICATIONS



1. Bring power feed for lift to a 2"x4" Box located beside the lift Mast - on the side closest to the lowest disconnection point as possible. Disconnection will be provided and mounted by Garaventa.

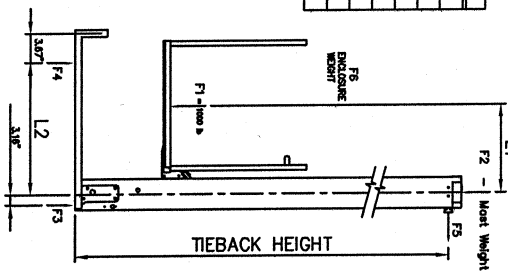
2. Bring power feed for lift to a 2"x4" Box located beside the lift Mast - on the side closest to the lowest disconnection point as possible. Disconnection will be provided and mounted by Garaventa.



MODEL	MAST HEIGHT	TI-BACK HEIGHT	F2	F3	F4	F5	F6
42"	68 3/8"	61 7/8"	175	1251	1408	782	400
60"	86 3/8"	79 7/8"	215	1308	1536	812	450
72"	98 3/8"	91 7/8"	260	1370	1585	909	500
96"	122 3/8"	115 7/8"	375	1527	1710	1366	625
120"	146 3/8"	139 7/8"	450	1627	1758	1321	700
144"	170 3/8"	163 7/8"	525	1736	1894	1275	800
168"	194 3/8"	187 7/8"	600	1846	1981	1257	900

PLATFORM SIZE	L1	L2
STANDARD: 36" x 64"	28.9"	46.11"
MIN SIZE: 36" x 60"	28.9"	46.11"
LANGE: 42" x 60"	29.9"	52.11"

SPECIAL NOTE:
These are reaction forces generated by the lift. Adhere to local building codes, regulations, and safety factors for supporting structures. Consult a structural engineer or architect for your jurisdiction.



DETAIL 1 - ENCLOSURE MODEL LOADING DIAGRAM

REV.	SCALE:	NTS	TOLERANCES:	DIMENSIONAL	ANGULAR	UNITS:	INCHES	DATE	7/09	CHK. BY	KM
A	GENESIS VERTICAL LIFT - ENCLOSURE - SIDE EXIT		DIMENSIONAL		ANGULAR	UNITS:	INCHES	DATE	7/09	CHK. BY	KM

999 CANDIA RD BLDG 2-1
MANCHESTER, NH 03109
PH: ++1 603-669-6553
FAX: ++1 603-669-0078
http://www.garaventausa.com

GARAVENTA LIFT

SAMPLE DRAWING ONLY
GENESIS ENCLOSURE
VERTICAL LIFT
SIDE EXIT

GARAVENTA-USA

GVL-EN-5
PAGE 1 OF 1